



Reliability In Action

RS7120H

Full-Hydraulic Dual-Drive Roller

Engine Power: 99 kW

Nominal Amplitude Range: 1.9/0.95 mm

Vibration Frequency Range: 30/33 Hz



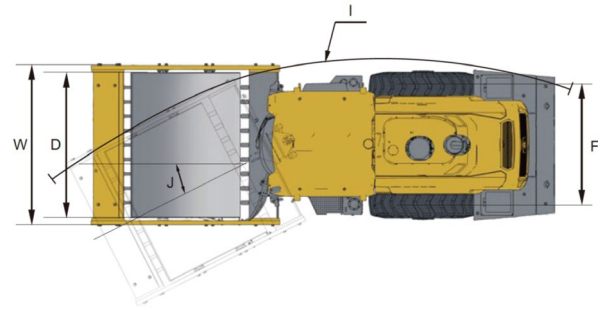
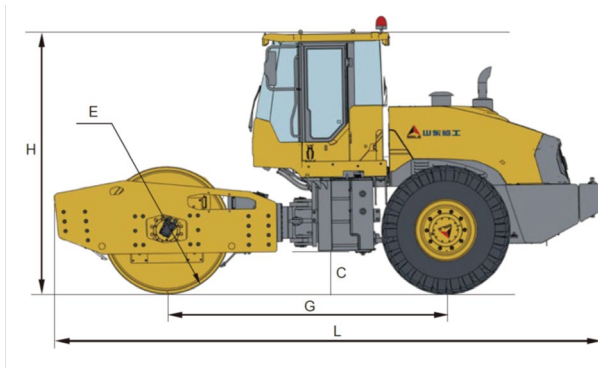
**Powerful Engine,
High Compaction Efficiency**

**High-End Design,
Reliable & Durable**

**Comfortable & Safe,
Easy Maintenance**

RS7120H

Main specifications



Item	Parameter
Overall dimensions	
LxWxH(mm)	5947x2316x3170
Width of vibratory drum (D)(mm)	2130
Wheel tread (F)(mm)	-
Wheelbase (G)(mm)	3212
Min ground clearance (C)(mm)	355
Min turning radius (J)(mm)	6210
Theoretical gradeability	30%
Turning angle (J)(°)	±35°
Overall performance	
Operating weight(kg)	12000
Wheel distributed weight (front/rear)(kg)	12000(6592/5408)
Nominal amplitude (high/low)(mm)	1.9/0.95
Vibration frequency(Hz)	30/33
Excitation force (high/low)(kN)	270/163
Static linear load(N/cm)	310
Engine	
Engine model	WP4.6NG135E670
Engine type	Four-cylinder, inline, water-cooled, four-stroke, direct injection
Rated Power/Speed(kw/rpm)	99
Engine displacement(ml)	4580
Cylinder bore/stroke(mm)	108/125
Emission standard	GB 20891-2014(stage IV)

Item	Parameter
Min. Fuel-consume ratio(g/kw.h)	≤195
Max. torque(N.m/rpm)	610/1400
Transmission system	
Clutch type	-
Transmission type	-
Gears	-
Speed at forward/reverse gear I (km/h)	0~5.3
Speed at forward/reverse gear II (km/h)	0~12
Speed at forward gear III(km/h)	-
Brake system	
Service brake type	Travel Control Lever Return to Neutral Position
Parking brake type	-
Steering system	
Steering system type	Open Circuit System
System pressure(MPa)	14
Swing angle(°)	±12
Vibratory system	
Vibratory system type	Closed Circuit System
Service capacities	
Fuel capacity(L)	270
Hydraulic oil(L)	93
Engine oil(L)	12
Transmission(L)	-

Item	Parameter
Drive axle main drive and wheel reducer(L)	16
Chamber Gear Oil (L)	20
STD Configuration	
Weichai WP4.6NG135E670	
Closed Circuit Vibration System	
Closed-Circuit Hydraulic System for Front and Rear Wheels	
Single Drum Smooth Wheel Vibratory Roller	
STD Cab (with Air Conditioner)	
Wheel 23.1-26-8PR-C-7	
Pneumatic Tire	
Rotating Beacon	
Options	
Tire:20.5-25-16PR-E-3/L-3	
Padfoot Shell Assembly (1500mm)	
Wheel 20.5-25-16PR-E-3/L-3	
High-temperature Hydraulic Oil Module	
Rops Cab	
Tbox (WiFi) for ARG/CHI/MEX/PER/COL	
Vibratory Wheel Breather (normal/ metallic)	

* SDLG constantly improves its products, and the configuration parameters will be continuously updated. We reserve the right to change the design and parameters without prior notice to users. The product configuration and appearance are subject to the physical object.



Shandong Lingong Construction Machinery Co., Ltd.

Add: Lingong Industry Park, Economic Development Zone, Linyi, Shandong, P. R. China

Tel: + 86-531-66590505 Fax: + 86-531-66590505 E-mail: export@sdlg.com Website: www.sdlg.com